

CUBIC SCREW JACKS

Features & Benefits

- Versatile Mounting - Unit can be mounted upright or inverted
- Clean surface - Easy to maintain in dirty environments
- Contemporary design for improved aesthetics
- Fast Delivery - Selected models are in stock
- German Engineering



Specifications

- Capacities from 2.5 kN to 100 kN (1/4 Ton to 11 Ton)
- Speeds up to 1,800 RPM
- Operating Temperature: 32°F up to 122°F
- Trapezoidal Screw models are standard
- Translating screw (type 1) and rotating screw (type 2) models available in all capacities



Options

- Top plate, threaded end, male clevis and female clevis screw ends available.
- Ball Screw is optional.
- Bellows Boots.
- Hand wheel for manual operation.
- Shaft encoder.
- Trunnion mount.
- Electrical Limit Switch.
- Anti-rotation device (translating screw) using a square cover pipe and square screw end.

Cubic Screw Jack Performance Table

	M0	M1	M2	M3	M4	M5
Lifting capacity kN (Tons)	2.5 (0.28)	5 (0.56)	10 (1.12)	25 (2.81)	50 (5.62)	100 (11.24)
Lifting screw Thread (Trapezoidal)	Tr14X4	Tr18X4	Tr20X4	Tr30X6	Tr40X7	Tr60X9
Worm Gear Ratio Standard (N)	4:1	4:1	4:1	6:1	7:1	9:1
Worm Gear Ratio Optional (L)	16:1	16:1	16:1	24:1	28:1	36:1
Travel Per Worm Turn Standard (N) mm (in)	1 (0.039)	1 (0.039)	1 (0.039)	1 (0.039)	1 (0.039)	1 (0.039)
Travel Per Worm Turn Optional (L) mm (in)	0.25 (.009)	0.25 (.009)	0.25 (.009)	0.25 (.009)	0.25 (.009)	0.25 (.009)
Worm Torque at Full load Standard (N) Nm (in-lbs)	1.2 (11)	2.7 (24)	5.7 (51)	14.7 (131)	31.8 (282)	83.8 (742)
Worm Torque at Full load Optional (L) Nm (in-lbs)	0.4 (3.6)	0.9 (8)	1.9 (17)	5.2 (47)	11.1 (99)	28.4 (252)
Efficiency Rating (%) Standard (N)	34	30	28	27	25	19
Efficiency Rating (%) Optional (L)	24	23	21	19	18	14
Maximum Power per Screw Jack kW (hp)	0.25 (.33)	0.42 (.56)	0.7 (0.93)	1.7 (2.25)	3.2 (4.28)	7.1 (9.51)
Key Torque Nm (in-lbs)	3.2 (29)	7.5 (67)	16 (142)	60 (532)	153 (1,355)	437 (3,868)
Maximum Input Shaft Torque Nm (in-lbs)	1.5 (14)	3.4 (31)	7.1 (63)	18 (160)	38 (337)	93 (824)
Housing Weight kg (lbs)	0.6 (1.3)	1.2 (2.64)	2.1 (5)	6 (14)	17 (38)	32 (71)
Screw and Pipe Weight Per 100mm Stroke kg (lbs)	0.1 (0.22)	0.35 (0.77)	0.45 (0.99)	0.7 (1.54)	1.2 (2.64)	2 (4.4)

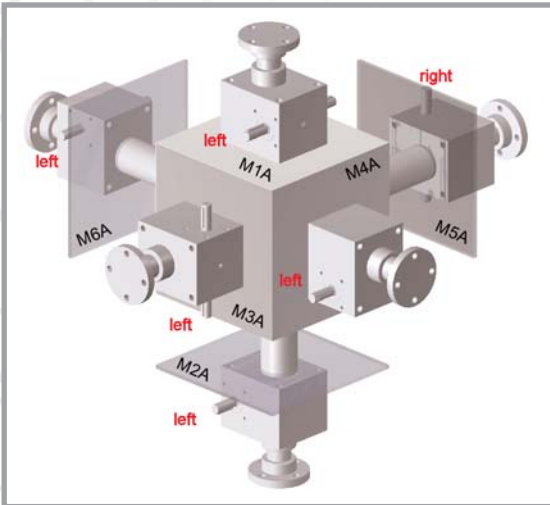
CUBIC SCREW JACKS Part Number Table

M0 1 M1A I 100 0 0 N Tr18x4 b (options contact factory)

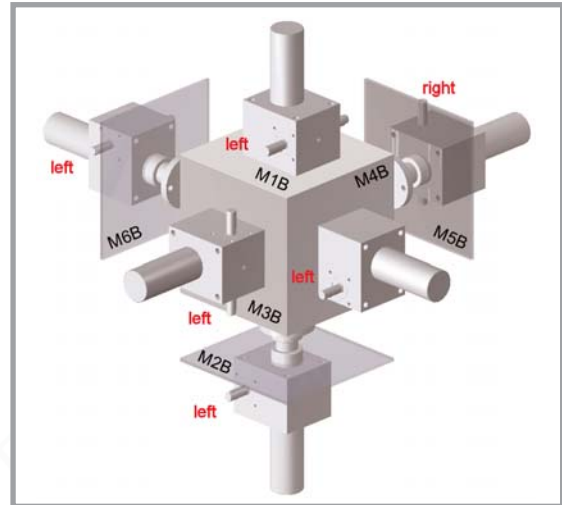
Capacity	Configuration Type	Mounting Position	Screw End Type	Stroke	Closed Height (Type 1)	Screw Length (Type 2)	Ratio	Screw	Drive Shaft
M0	Type 1	M1A	I	mm	mm	mm	Normal (N)	Tr(DxP)	b
M1	Type 2	M1B	II				Low (L)	Ku(DxP)	(both sides)
M2		M2A	III						
M3		M2B	IV						
M4		M3A	IV						
M5		M3B	GK						
		M4A							
		M4B							
		M5A							
		M5B							
		M6A							
		M6B							

Cubic Screw Jack Mounting Position

Design A



Design B



How to determine a Cubic Screw Jack part number

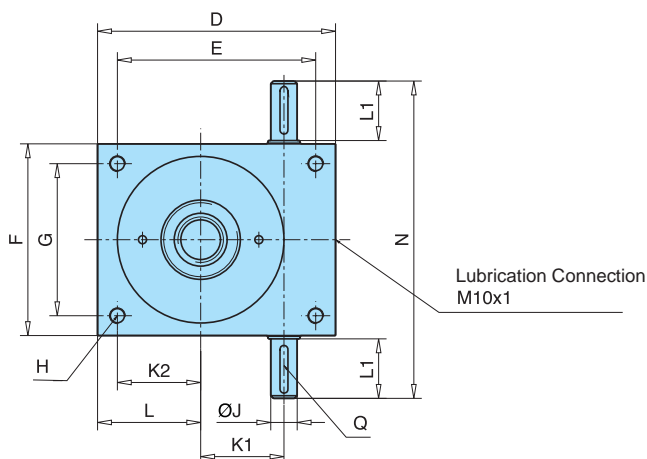
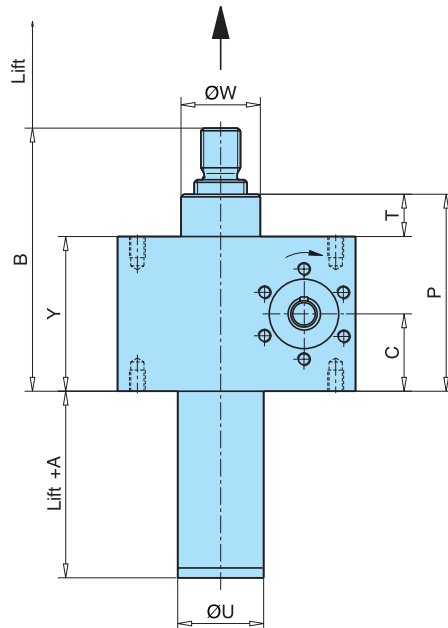
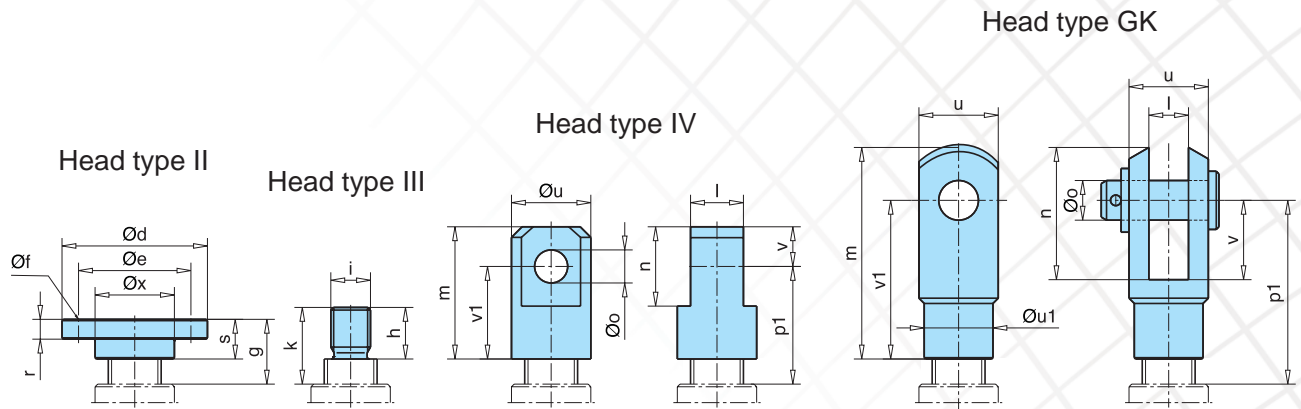
Capacity	See the Cubic Screw Jack Performance table on page 7
Configuration Type	Type 1 - Translating screw. The screw moves through the housing of the screw jack Type 2 - Rotating screw. The screw is stationary and the traveling nut moves as the screw turns.
Mounting Position	This determines the orientation that the screw jack will be installed. See the chart on page 8 for a diagram of positions.
Screw End Type	Type II: End Plate Type III: Threaded End Type IV: Clevis End Type GK: Female Clevis End
Stroke (mm)	Specify the stroke length in millimeters. Stroke lengths are offered in centimeter increments (ie 100 mm, 110 mm or 120 mm).
Closed Height (mm)	For translating screw (type 1) models. For type 2 models, value is zero
Screw Length (mm)	For rotating screw (type 2) models. For type 1 models, value is zero
Ratio	Input/output gear ratio.
Screw Type	Refer to the Cubic Screw Jack performance table on page 7 for the trapezoidal screw that comes with each size. Ball screws are available upon request.
Drive Shaft	“b” indicates both sides of the worm shaft extend out of the housing.
Options for (Translating Screw Type 1 only)	Sm/Si: Limit Switches. V: Anti-turn device Vm/Vi: Anti-turn device with added stroke limit switches



Cubic Screw Jack Dimensions for Translating Screw Model (type I)

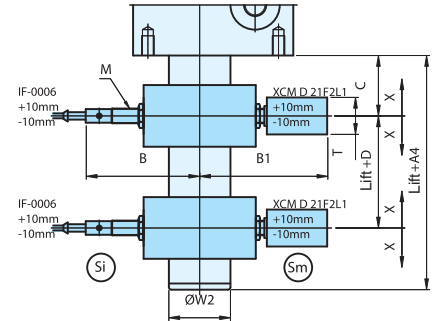
Size	M0	M1	M2	M3	M4	M5
Tr Screw	Tr 14x4	Tr 18x4	Tr 20x4	Tr 30x6	Tr 40x7	Tr 60x9
A/A*	25 (0.98) / 55 (2.16)	25 (0.98) / 55 (2.16)	35 (1.37) / 65 (2.55)	40 (1.57) / 75 (2.95)	45 (1.77) / 100 (3.93)	55 (2.16) / 90 (3.54)
B	77 (3.03)	97 (3.81)	120 (4.72)	132 (5.19)	182 (7.16)	255 (10.03)
C	25 (0.98)	31 (1.22)	37.5 (1.47)	41 (1.61)	58.5 (2.30)	80 (3.14)
D	60 (2.36)	80 (3.14)	100 (3.93)	130 (5.11)	180 (7.08)	200 (7.87)
E	48 (1.88)	60 (2.36)	78 (3.07)	106 (4.17)	150 (5.90)	166 (6.53)
F	50 (1.96)	72 (2.83)	85 (3.34)	105 (4.13)	145 (5.70)	165 (6.49)
G	38 (1.49)	52 (2.04)	63 (2.48)	81 (3.18)	115 (4.52)	131 (5.15)
H	M6	M8	M8	M10	M12	M20
ø j k6	9 (0.35)	10 (0.39)	14 (0.55)	16 (0.62)	20 (0.78)	25 (0.98)
K1	20 (0.78)	25 (0.98)	32 (1.25)	45 (1.77)	63 (2.48)	71 (2.79)
K2	16 (0.62)	21 (0.82)	29 (1.14)	42 (1.65)	63 (2.48)	66 (2.59)
L	22 (0.86)	31 (1.22)	40 (1.57)	54 (2.12)	78 (3.07)	83 (3.26)
L1	20 (0.78)	22.5 (0.88)	25.5 (1.00)	43 (1.69)	45 (1.77)	65 (2.55)
L2	12 (0.47)	13 (0.51)	15 (0.59)	15 (0.59)	16 (0.62)	30 (1.18)
N	92 (3.62)	120 (4.72)	140 (5.51)	195 (7.67)	240 (9.44)	300 (11.8)
P	62 (2.44)	74 (2.91)	93 (3.66)	105 (4.13)	149 (5.86)	200 (7.87)
Q	3x3x14(.11x.11x.55)	3x3x18(.11x.11x.70)	5x5x20(.19x.19x.78)	5x5x36(.19x.19x1.41)	6x6x36(.23x.23x1.41)	8x7x56(.31x.27x2.20)
T	12 (0.47)	12 (0.47)	18 (0.70)	23 (.90)	32 (1.25)	40 (1.57)
ø U	28 (1.10)	32 (1.25)	40 (1.57)	50 (1.96)	65 (2.55)	90 (3.54)
ø W	26 (1.02)	30 (1.18)	38.7 (1.52)	46 (1.81)	60 (2.36)	85 (3.34)
Y	50 (1.96)	62 (2.44)	75 (2.95)	82 (3.22)	117 (117)	160 (6.29)
Head II						
ø d	50 (1.96)	65 (2.55)	80 (3.14)	90 (3.54)	110 (4.33)	150 (5.90)
ø e	40 (1.57)	48 (1.88)	60 (2.36)	67 (2.63)	85 (3.34)	117 (117)
ø f	4xø7 (.15xø.27)	4xø9 (.15xø.35)	4xø11 (.15xø.43)	4xø11 (.15xø.43)	4xø13 (.15xø.51)	4xø17 (.15xø.66)
g	19 (0.74)	24 (0.94)	28 (1.10)	28 (1.10)	34 (1.33)	57 (2.24)
s	16 (0.63)	20 (0.78)	21 (0.82)	23 (0.90)	30 (1.18)	50 (1.96)
r	6 (0.23)	7 (0.27)	8 (0.31)	10 (0.39)	15 (0.59)	20 (0.78)
ø x	26 (1.02)	30 (1.18)	40 (1.57)	48 (1.88)	60 (2.36)	85 (3.34)
Head III						
h	12 (0.47)	19 (0.74)	20 (0.78)	22 (0.86)	29 (1.14)	48 (1.88)
i	M8	M12	M14	M20	M30	M36
k	15 (0.59)	23 (0.90)	27 (1.06)	27 (1.06)	33 (1.29)	55 (2.16)
Head IV						
lh10	12 (0.47)	15 (0.59)	20 (.78)	30 (1.18)	35 (1.37)	40 (1.57)
m	40 (1.57)	55 (2.16)	63 (2.48)	78 (3.07)	105 (4.13)	147 (5.78)
n	20 (0.78)	30 (1.18)	36 (1.41)	45 (1.77)	65 (2.55)	83 (3.26)
ø o H8	10 (0.39)	14 (0.55)	16 (0.62)	24 (0.94)	32 (1.25)	40 (1.57)
p1	33 (1.29)	44 (1.73)	52 (2.04)	58 (2.28)	74 (2.91)	104 (4.09)
ø u	25 (0.98)	30 (1.18)	40 (1.57)	45 (1.77)	60 (2.36)	85 (3.34)
v	10 (0.39)	15 (0.59)	18 (0.70)	25 (0.98)	35 (1.37)	50 (1.96)
v1	30 (1.18)	40 (1.57)	45 (1.77)	53 (2.08)	70 (2.75)	97 (3.81)
Head GK						
lh13	8 (0.31)	12 (0.47)	14 (0.55)	20 (0.78)	30 (1.18)	36 (1.41)
m	42 (1.65)	62 (2.44)	72 (2.83)	105 (4.13)	160 (6.29)	188 (7.40)
n	26 (1.02)	37 (1.45)	44 (1.73)	65 (2.55)	100 (3.93)	116 (4.56)
ø o H9	8 (0.31)	12 (0.47)	14 (0.55)	20 (.78)	30 (1.18)	35 (1.37)
p1	35 (1.37)	52 (2.04)	63 (2.48)	85 (3.34)	124 (4.88)	151 (5.94)
u	16 (0.62)	24 (0.94)	27 (1.06)	40 (1.57)	60 (2.36)	70 (2.75)
ø u1	14 (0.55)	20 (0.78)	24 (0.94)	34 (1.33)	52 (2.04)	60 (2.36)
v	16 (0.62)	24 (0.94)	28 (1.10)	40 (1.57)	60 (2.36)	72 (2.83)
v1	32 (1.25)	48 (1.88)	56 (2.20)	80 (3.14)	120 (4.72)	144 (5.66)

Cubic Screw Jack Dimensions for Translating Screw Model (type I)



Limit Switches (Sm/Si)

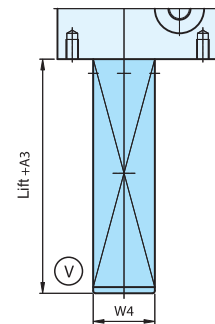
Size	A4	B	B1	C (Sm/Si)	D (Sm/Si)	T	M	ø W2	X
M0	105 (4.13)	84 (3.30)	95 (3.74)	44 (1.73) / 38 (1.49)	12 (0.47) / 24 (0.94)	50 (1.96)	M12x1	28 (1.10)	± 10 (± 0.39)
M1	105 (4.13)	86 (3.38)	97 (3.81)	44 (1.73) / 38 (1.49)	12 (0.47) / 24 (0.94)	50 (1.96)	M12x1	32 (1.25)	± 10 (± 0.39)
M2	110 (4.33)	90 (3.54)	100 (3.93)	44 (1.73) / 38 (1.49)	16 (0.62) / 28 (1.10)	50 (1.96)	M12x1	40 (1.57)	± 10 (± 0.39)
M3	115 (4.52)	94 (3.70)	104 (4.09)	49 (1.92) / 43 (1.69)	16 (0.62) / 28 (1.10)	50 (1.96)	M12x1	50 (1.96)	± 10 (± 0.39)
M4	135 (5.31)	101 (3.97)	111 (4.37)	58 (2.28) / 52 (2.04)	20 (0.78) / 32 (1.25)	50 (1.96)	M12x1	65 (2.55)	± 10 (± 0.39)
M5	140 (5.51)	114 (4.48)	123 (4.84)	66 (2.59) / 60 (2.36)	20 (0.78) / 32 (1.25)	50 (1.96)	M12x1	90 (3.54)	± 10 (± 0.39)



All Cubic Screw Jack sizes can be supplied with mechanical (Sm) or inductive (Si) limit switches.

Anti-turn Device (V)

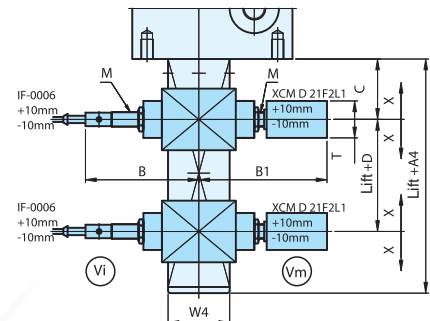
Size	A3	W4
M1	60 (2.36)	35x25 (1.37x0.98)
M2	70 (2.75)	40x40 (1.57x1.57)
M3	80 (3.14)	50x50 (1.96x1.96)
M4	100 (3.93)	65x65 (2.55x2.55)
M5	115 (4.52)	90x90 (3.54x3.54)



This device prevents the screw from twisting to ensure correct linear movement.

Anti-turn Device (Vm/Vi)

Size	A4	B	B1	C (Vm/Vi)	D (Vm/Vi)	T	M	ø W4	X
M1	105 (4.13)	86 (3.38)	96 (3.77)	44/38 (1.73/1.49)	12 (0.47) / 24 (0.94)	50 (1.96)	M12x1	35x35 (1.37x1.37)	± 10 (± 0.39)
M2	110 (4.33)	88 (3.46)	100 (3.93)	44/38 (1.73/1.49)	16 (0.62) / 28 (1.10)	50 (1.96)	M12x1	40x40 (1.57x1.57)	± 10 (± 0.39)
M3	115 (4.52)	93 (3.66)	105 (4.13)	49/43 (1.92/1.69)	16 (0.62) / 28 (1.10)	50 (1.96)	M12x1	50x50 (1.96x1.96)	± 10 (± 0.39)
M4	135 (5.31)	101 (3.97)	110 (4.33)	58/52 (2.28/2.04)	20 (0.78) / 32 (1.25)	50 (1.96)	M12x1	65x65 (2.55x2.55)	± 10 (± 0.39)
M5	145 (5.70)	113 (4.44)	125 (4.92)	66/60 (2.59/2.36)	20 (0.78) / 32 (1.25)	50 (1.96)	M12x1	90x90 (3.54x3.54)	± 10 (± 0.39)



All Cubic Screw Jack sizes can be supplied with mechanical (Vm) or inductive (Vi) limit switches and an anti-turn device.

HSE high performance worm gear screw jack, type 1, special configuration for an elevation movement from 32° F to 194°F of an 36.4 Ft. m antenna



Manufacturer's illustration:
SBS Buhntechnik GmbH Multi-screw lifting system for adjusting hall platforms in the Culture Centre in Frankfurt/Oder

Manufacturer's illustration:
SBS Buhntechnik GmbH Multi-screw lifting system (HSE high performance worm gear screw jacks with safety device according to BGV C1 (VBG 70) for adjusting hall platforms in the culture Centre in Frankfurt/Oder. Synchronization is effected by means of bevel gear boxes and connecting shafts.

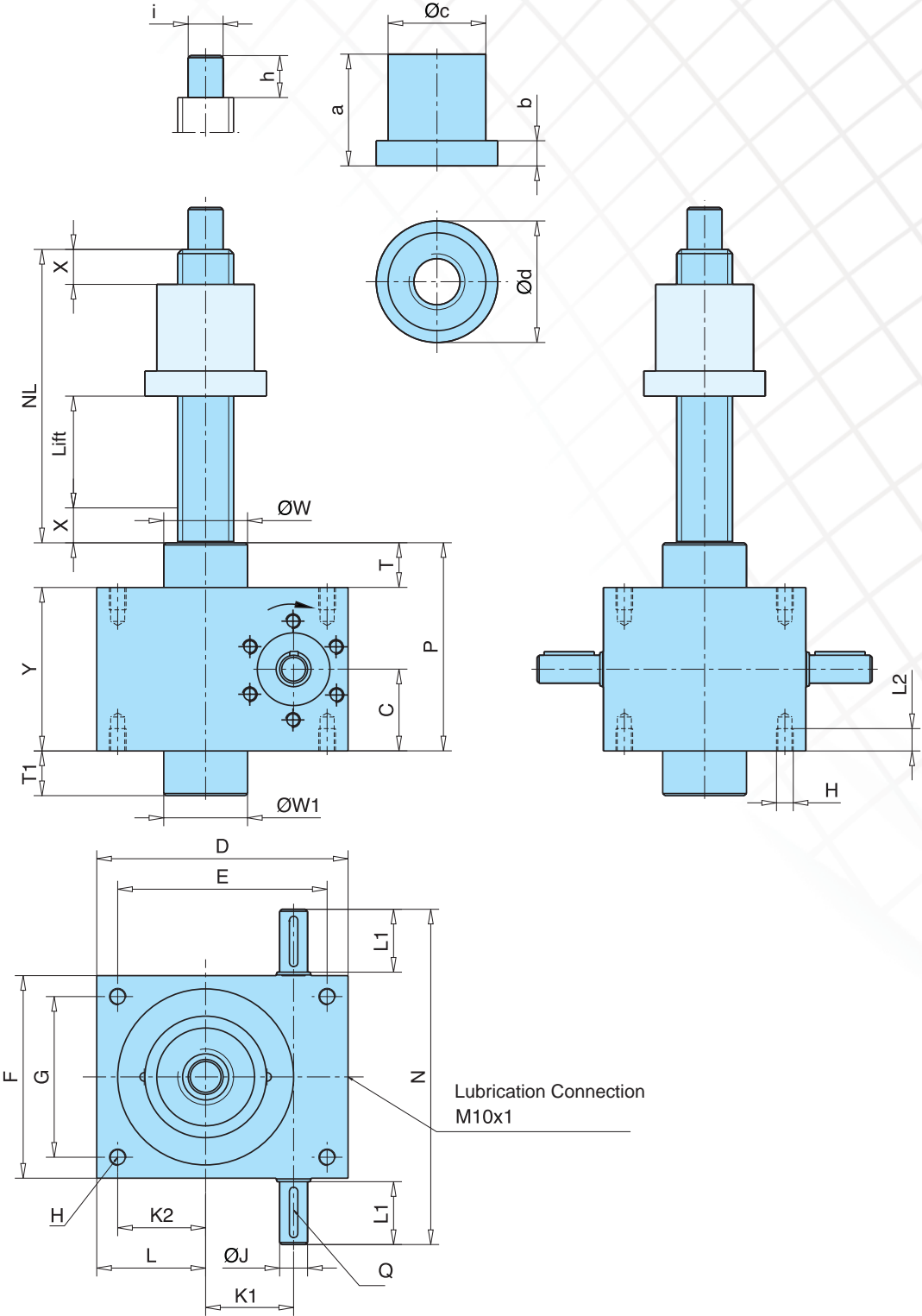


Cubic Screw Jack Dimensions for Rotating Screw Model (type 2)

Size	M0	M1	M2	M3	M4	M5
Screw	Tr 14x4	Tr 18x4	Tr 20x4	Tr 30x6	Tr 40x7	Tr60x9
C	25 (0.98)	31 (1.22)	37.5 (1.47)	41 (1.61)	58.5 (2.30)	81 (3.18)
D	60 (2.36)	80 (3.14)	100 (3.93)	130 (5.11)	180 (7.06)	200 (7.87)
E	48 (1.88)	60 (2.36)	78 (3.07)	106 (4.17)	150 (5.90)	166 (6.53)
F	50 (1.96)	72 (2.83)	85 (3.34)	105 (4.13)	145 (5.70)	165 (6.49)
G	38 (1.49)	52 (2.04)	63 (2.48)	81 (3.18)	115 (4.52)	131 (5.15)
H	M6	M8	M8	M10	M12	M20
ø j k6	9 (0.35)	10 (0.39)	14 (0.55)	16 (0.62)	20 (0.78)	25 (0.98)
K1	20 (0.78)	25 (0.98)	32 (1.25)	45 (1.77)	63 (2.48)	71 (2.79)
K2	16 (0.62)	21 (0.82)	29 (1.14)	42 (1.65)	63 (2.48)	66 (2.59)
L	22 (0.86)	31 (1.22)	40 (1.57)	54 (2.12)	78 (3.07)	83 (3.26)
L1	20 (0.78)	22.5 (0.88)	25.5 (1.00)	43 (1.69)	45 (1.77)	65 (2.55)
L2	12 (0.47)	13 (0.51)	15 (0.59)	15 (0.59)	16 (0.62)	30 (1.18)
N	92 (3.62)	120 (4.72)	140 (5.51)	195 (7.67)	240 (9.44)	300 (11.81)
NL	stroke + 52 (2.04)	stroke + 56 (2.20)	stroke + 70 (2.75)	stroke + 85 (3.34)	stroke + 110 (4.33)	stroke + 125 (4.92)
P	62 (2.44)	74 (2.91)	93 (3.66)	105 (4.13)	149 (5.86)	200 (7.87)
Q	3x3x14 (.11x.11x.55)	3x3x18 (.11x.11x.70)	5x5x20 (.19x.19x.78)	5x5x36 (.19x.19x1.41)	6x6x36 (.23x.23x1.41)	8x7x56
T	12 (0.47)	12 (0.47)	18 (0.70)	23 (0.90)	32 (1.25)	40 (1.57)
T1 (1)	12 (0.47)	12 (0.47)	18 (0.70)	23 (0.90)	32 (1.25)	40 (1.57)
ø W	26 (1.02)	30 (1.18)	36.1 (1.42)	46 (1.81)	60 (2.36)	85 (3.34)
ø W(1)	26 (1.02)	30 (1.18)	38.7 (1.52)	46 (1.81)	60 (2.36)	85 (3.34)
Safety X	10 (0.39)	12 (0.47)	15 (0.59)	20 (0.78)	25 (0.98)	25 (0.98)
Y	50 (1.96)	62 (2.44)	75 (2.95)	82 (3.22)	117 (4.60)	160 (6.29)
Lifting Nut						
a	32 (1.25)	32 (1.25)	40 (1.57)	45 (1.77)	60 (2.36)	75 (2.95)
b	10 (0.39)	10 (0.39)	12 (0.47)	15 (0.59)	18 (0.70)	25 (0.98)
ø c h9	40 (1.57)	40 (1.57)	45 (1.77)	50 (1.96)	70 (2.75)	90 (3.54)
ø d	50 (1.96)	50 (1.96)	65 (2.55)	80 (3.14)	87 (3.42)	110 (4.33)
Journal End						
ø i j6	8 (0.31)	12 (0.47)	15 (0.59)	20 (0.78)	25 (.98)	40 (1.57)
h	12 (0.47)	15 (0.59)	20 (0.78)	25 (0.98)	30 (1.18)	45 (1.77)

Cubic Screw Jack Dimensions for Rotating Screw Model (type 2)

Head type I

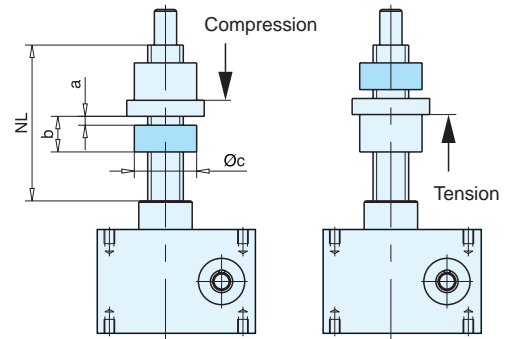


Short Safety Nut

The short safety nut supports the load if the main nut breaks. This considerably increases the operating safety of the drive elements. The safety nut can also be used to precisely check for wear on the main nut, as the clearance between the two nuts changes according to the amount of wear. In the case of worm gear screw jacks with short safety nut, the direction of main stress (tension and compression force) and the mounting position should be taken into account, as only a correctly fitted safety nut is capable of taking up the load.

mm (in)

Size	NL	a1)	b	øc*
M0	Contact Factory			
M1				
M2	stroke + 95 (3.74)	5	25 (0.98)	45 (1.77)
M3	stroke + 120 (4.72)	5	35 (1.37)	50 (1.96)
M4	stroke + 150 (5.90)	5	40 (1.57)	70 (2.75)
M5	stroke + 185 (7.28)	5	60 (2.36)	90 (3.54)

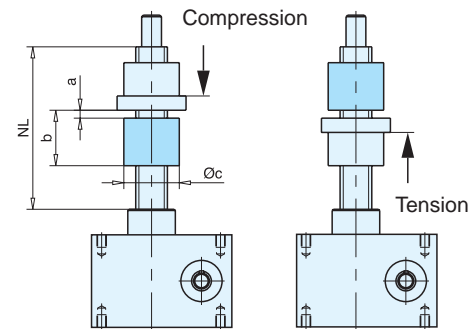


Long Safety Nut

Worm gear screw jacks used on theatre stages (BGV C1, former VBG 70), lifting platforms (VBG 14) or lifting systems that might affect personal safety are designed according to current regulations, and include such items as anti-drop systems (self-locking screws and/or mechanical safety brakes as part of the drive system).

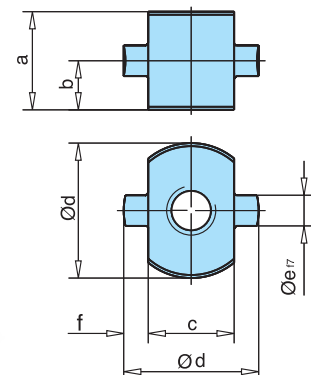
mm (in)

Size	NL	a1)	b	øc*
M0	Contact Factory			
M1				
M2	stroke + 115 (4.52)	5	45 (1.77)	45 (1.77)
M3	stroke + 140 (5.51)	5	55 (2.16)	55 (2.16)
M4	stroke + 180 (7.08)	5	70 (2.75)	70 (2.75)
M5	stroke + 210 (8.26)	5	85 (3.34)	90 (3.54)



LWZ Traveling Nut with Trunnion

Size	a	b	c	ød	øe	f
M1	45 (1.77)	22.5 (0.88)	35 (1.37)	50 (1.96)	14 (0.55)	7.5 (0.29)
M2	50 (1.96)	25 (0.98)	40 (1.57)	60 (2.36)	18 (0.70)	10 (0.39)
M3	60 (2.36)	30 (1.18)	50 (1.96)	80 (3.14)	25 (0.98)	15 (0.59)
M4	70 (2.75)	35 (1.37)	62 (2.44)	95 (3.74)	35 (1.37)	16.5 (0.64)
M5	120 (4.72)	60 (2.36)	80 (3.14)	130 (5.11)	50 (1.96)	25 (0.98)



All personal safety applications must be approved by Duff-Norton in writing

Reducer-Horsepower Tables

Actuator Model	Actuator Ratio	Reducer Model	Reducer Ratio	Lifting Speed (mm/sec)	Lifting Capacity, kN (2000 lb tons) - See Notes Below. All data for 60Hz input power.								
					Motor Horsepower[60Hz] / Frame Size								
					1/6 - IEC63	1/4 - IEC63	1/3 - IEC71	1/2 - IEC71	3/4 - IEC80	1 - IEC80	1.5 - IEC90	2 - IEC90	
M1	4:1	SK072	2.10	13.69	2.7 (.30)	4.2 (.47)	5.4 (.61)	7.9 (.89)					
			3.28	8.77	4 (.45)	6.5 (.73)	8.4 (.95)	12.5 (1.40)					
			4.77	6.03	5.8 (.65)	9.4 (1.05)	12.1 (1.36)						
			7.23	3.98	9 (1.01)	14.2 (1.59)							
			10.00	2.88	12.3 (1.38)								
			15.77	1.82	19.6 (2.20)								
			24.75	1.16	30.7 (3.45)								
			36.43	0.79	45.2 (5.00)								
M2	4:1	SK072	2.10	13.69	2.4 (.27)	3.9 (.44)	5.1 (.57)	7.5 (.84)					
			3.28	8.77	3.8 (.43)	6.1 (.68)	7.9 (.89)	11.9 (1.34)					
			4.77	6.03	5.5 (.62)	8.9 (1.00)	11.5 (1.29)	17.2 (1.93)					
			7.23	3.98	8.5 (.91)	13.5 (1.52)	17.4 (2.96)	26.1 (2.93)					
			10.00	2.88	11.7 (1.32)	18.6 (2.09)	24.2 (2.72)						
			15.77	1.82	18.6 (2.09)	29.3 (3.29)							
			24.75	1.16	29.1 (3.27)								
			36.43	0.79	42.8 (4.81)								
M3	6:1	SK072	2.10	13.69		3.8 (.43)	5 (.56)	7.3 (.82)					
			3.28	8.77	3.6 (.40)	5.9 (.66)	7.7 (.86)	11.5 (1.29)					
			4.77	6.03	5.3 (.59)	8.6 (.96)	11.1 (1.24)	16.7 (1.87)					
			7.23	3.98	8.2 (.92)	13 (1.46)	16.9 (1.89)	25.4 (2.85)					
			10.00	2.88	11.3 (1.26)	18 (2.02)	23.4 (2.62)	35.1 (3.93)					
			15.77	1.82	18.0 (2.02)	28.4 (3.18)	36.9 (4.13)	55.5 (6.22)					
			24.75	1.16	28.2 (3.16)	44.6 (5.00)	57.8 (6.47)						
			36.43	0.79	41.5 (4.65)	65.7 (7.36)							
	SK172	2.32	12.39					12.3 (1.38)	17.1 (1.92)	25.4 (2.85)	33.8		
		3.46	8.31					18.4 (2.06)	25.4 (2.85)	37.8 (4.23)	50.5		
		5.14	5.59					27.3 (3.06)	37.7 (4.22)	56.3 (6.31)			
		7.83	3.67					41.5 (4.65)	57.5 (6.44)				
		12.06	2.38					64.0 (7.17)					
M4	7:1	SK072	2.10	13.69				6.7 (.75)					
			3.28	8.77		5.5 (.62)	7.1 (.80)	10.6 (1.19)					
			4.77	6.03	5.0 (.56)	8.0 (.90)	10.3 (1.15)	15.4 (1.72)					
			7.23	3.98	7.6 (.85)	12.0 (1.34)	15.6 (1.75)	23.4 (2.62)					
			10.00	2.88	10.5 (1.18)	16.7 (1.87)	21.6 (2.42)	32.5 (3.64)					
			15.77	1.82	16.7 (1.87)	26.3 (2.95)	34.1 (3.82)	51.3 (5.75)					
			24.75	1.16	26.1 (2.92)	41.2 (4.61)	53.5 (6.00)	80.6 (9.03)					
			36.43	0.79	38.3 (4.29)	60.7 (6.80)	78.7 (8.81)						
	SK172	2.32	12.39					11.3 (1.27)	15.8 (1.77)	23.4 (2.62)	31.2 (3.49)		
		3.46	8.31					17 (1.90)	23.4 (2.62)	35 (3.92)	46.7 (5.23)		
		5.14	5.59					25.2 (2.82)	34.8 (3.90)	52 (5.82)	69.3 (7.76)		
		7.83	3.67					38.4 (4.30)	53.1 (5.95)	79.2 (8.87)	105 (11.8)		
		12.06	2.38					59.1 (6.62)	81.8 (9.16)				
		18.60	1.55					91.3 (10.2)	126 (14.1)				
		27.62	1.04					136 (15.2)					
		SK372	2.62	10.97								51.7 (5.79)	85 (9.52)
			3.12	9.21								61.4 (6.88)	101 (11.3)
	5.24	5.49								103 (11.5)			
M5	9:1	SK372	2.62	10.97						26.8 (3.00)	39.2 (4.39)	64.6 (7.24)	
			3.78	7.61						38.7 (4.33)	56.5 (6.33)	93.2 (10.4)	
			5.24	5.49						40.2 (4.50)	53.7 (6.01)	78.4 (8.78)	129 (14.5)
			7.23	3.98					37.2 (4.17)	55.6 (6.23)	74.0 (8.29)	108 (12.1)	178 (20.0)
			10.28	2.80					53.0 (5.94)	79.1 (8.86)	105 (11.8)	153 (17.2)	253 (28.4)
			14.57	1.97		36.0 (4.03)	54.3 (6.08)	75.1 (8.41)	112 (12.5)	149 (16.7)			
			20.62	1.39		N.A.	76.9 (8.61)	106 (11.9)	158 (17.7)	211 (23.7)			
			30.11	0.95	49.4 (5.53)	74.4 (8.33)	112 (12.5)	155 (17.4)	231 (25.9)				
			43.26	0.66	70.9 (7.94)	107 (12.0)	161 (18.1)	223 (25.0)					
			SK672	Ratios from 2.66:1 to 362.43:1 available, with motors to 10HP maximum. Contact Duff-Norton Engineering.									

1. Listed actuator capacities consider reducer efficiencies and maximum power ratings.
2. Capacities are based on available reducer output torque and apply to both single actuator and shaft-connected, multiple actuator configurations. Capacity is the total load for all actuators driven by the reducer.
3. Capacities in shaded area exceed the single actuator load rating or horsepower rating. In no case should any actuator be loaded beyond its nominal load rating, or at input powers greater than shown in the actuator specification chart on page 7.
4. The ratios shown are only a sampling of those available. All gear reducers shown are available with ratios intermediate to those shown and greater than the largest shown.